



Mueller Streamline Co. Headquarters

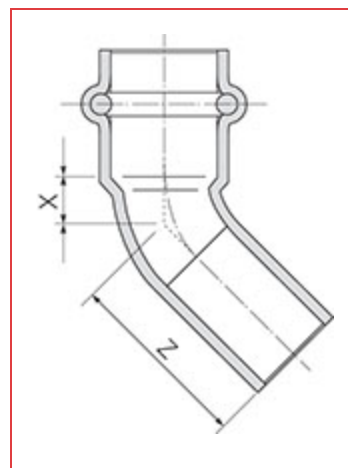
150 Schilling Blvd
Suite 201
Collierville, Tennessee 38017
United States
Phone: 901 753 3200

Mueller Streamline Co. International

525 Okeechobee Blvd
Suite 860
West Palm Beach, FL 33401
United States
Phone: 561 273 8300

ITEM # PF 03326, COPPER ELBOW 45°, P X FTG, 1/2" X 1/2"

Streamline® PRS™ Copper-Press Fittings is a flameless joining alternative for plumbing or mechanical applications. Available sizes ranging from 1/2" to 4" in diameter.



[Specifications](#) | [Dimensions](#) | [Details](#)

Specifications

Weight	0.08 lb
Material	COPPER
Operating Temperature [Min]	-20 °F
Operating Temperature [Max]	250 °F
Operating Pressure [Max]	200 psi
End Type	Press

End Size	1/2 in
-----------------	--------

Second End Type	Fitting
------------------------	---------

Second End Size	1/2 in
------------------------	--------

Standards	ASME B16.51 IAPMO PS-117 NSF/ANSI 61 NSF/ANSI 372 CSA TIL-MSE-13
------------------	--

Dimensions

Overall Length	1.30 in
-----------------------	---------

Overall Height	2.09 in
-----------------------	---------

Overall Width	0.93 in
----------------------	---------

X	0.28 in
----------	---------

Z	1.10 in
----------	---------

Details

Qty Pcs / Bag	10
----------------------	----

Master Qty Pcs / Box	200
-----------------------------	-----

Mueller Description	1/2 FTG X P 45 ELL
----------------------------	--------------------